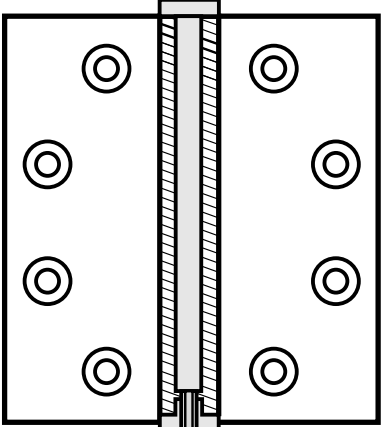


Decorative Tip Conversion Instructions

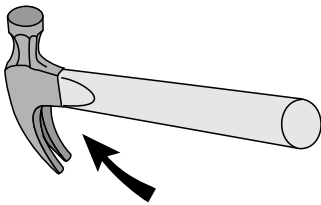


Wear safety goggles and follow common safety rules.

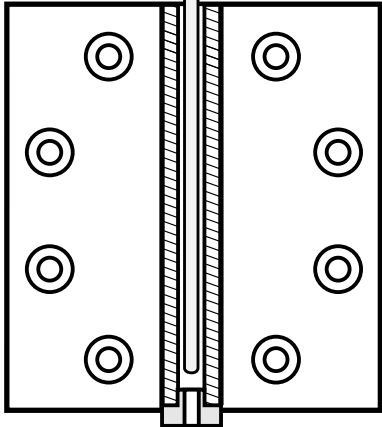
1



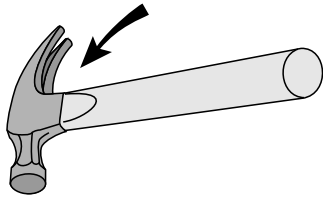
Extract pin



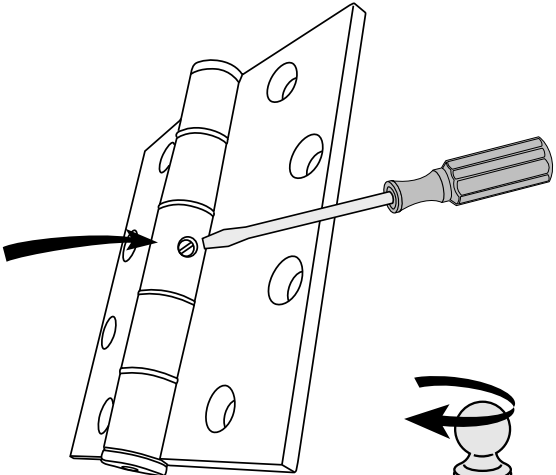
2



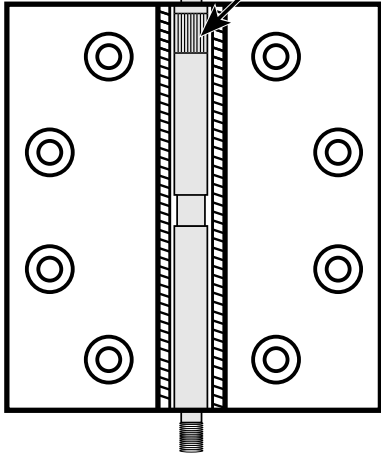
Extract bottom tip



NOTE: If product was supplied with a non-removable pin (NRP), remove set screw first.



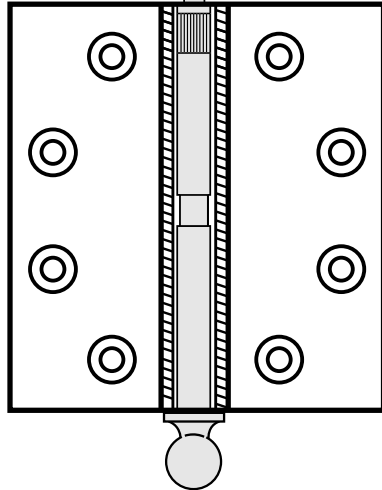
3



Conversion pin

Knurl

4



Screw on decorative tips

Insert conversion pin with knurl on top as illustrated, making certain that the knuckles align. Perform this step with care not to damage threads.

NOTE: If hinge was supplied with (NRP) option, replace the set screw.