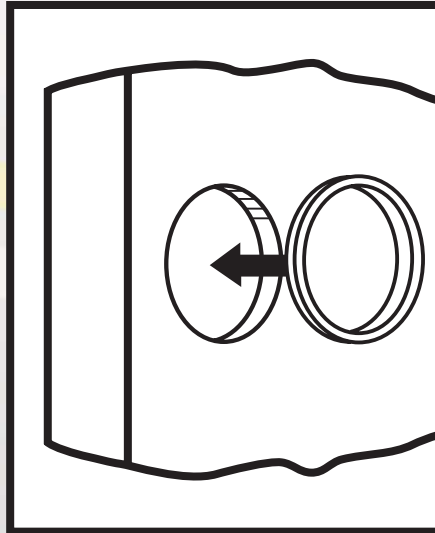
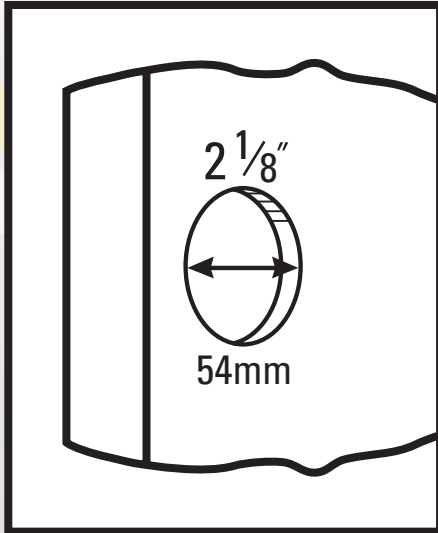


BP250-61 and BP250-62 Flush Pulls



Wear Safety Goggles



1. Mark pull location.
2. Bore two $2\frac{1}{8}$ " holes, $\frac{5}{16}$ " deep.
3. Carefully tap pull into place.
Only clean with soft cloth, mild soap and water.